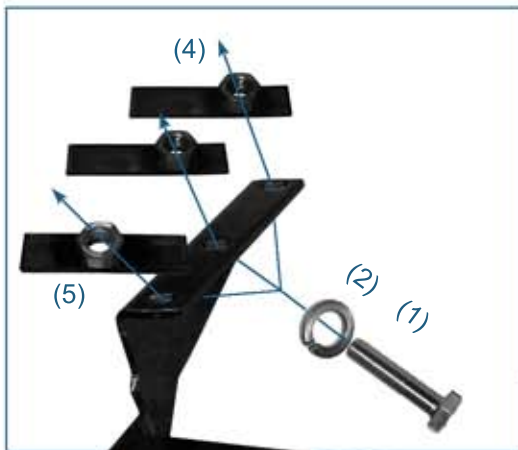


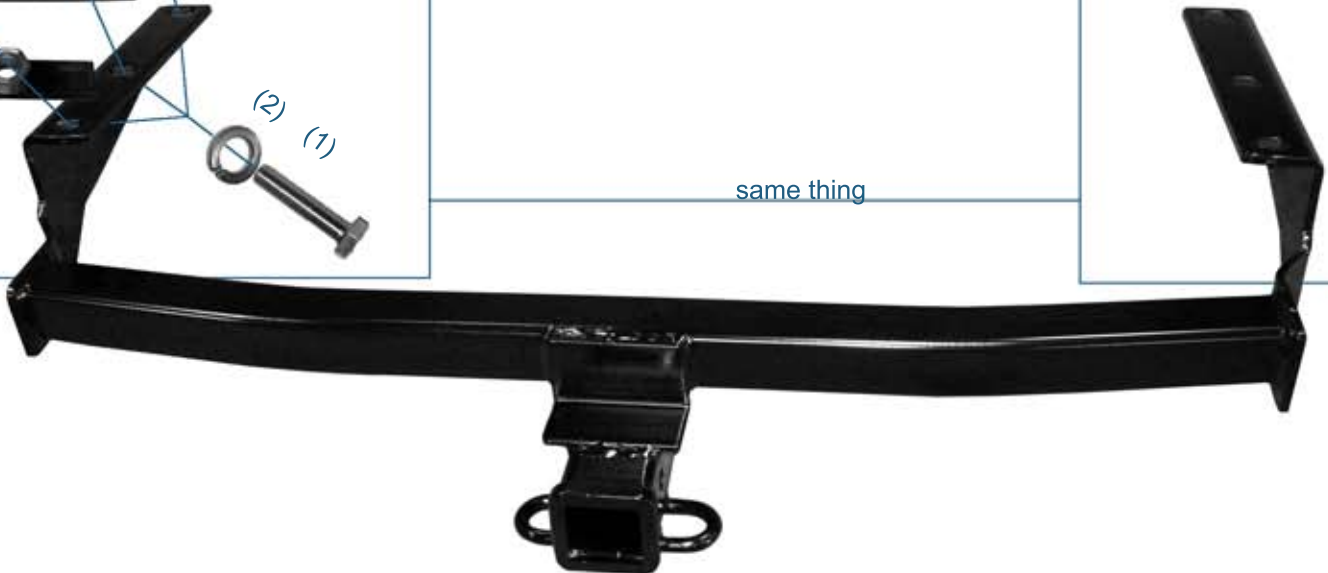
GROSS LOAD CAPACITY WHEN USED AS A WEIGHT CARRYING HITCH: **3500 LBS. TRAILER WEIGHT & 350 LBS. TONGUE WEIGHT.**  
**\*\*\*DO NOT EXCEED VEHICLE MANUFACTURER'S RECOMMENDED TOWING CAPACITY.\*\*\***

PARTS LIST/LISTE DE PIÈCES

Num	QTY	DESCRIPTION	Num	QTY	DESCRIPTION
1	6	HEX BOLT M12X40X1.75	7		
2	6	LOCK WASHER 1/2	8		
3	6	FLAT WASHER 1/2	9		
4	4	FLAT WITH NUT decentre	10		
5	2	FLAT WITH NUT 1X3	11		
6			12		FILAGE SUGGÉRÉ / WIRING: 119176/119147



same thing



### INSTALLATION:

- INSÉRER LES PLAQUES AVEC FLAT NUT CENTRÉ À L'INTÉRIEUR DU CHASSIS DE CHAQUE CÔTÉ.

PLACER L'ATTACHE AU CHASSIS

SERRER LE TOUT.

- INSERT THE FLAT NUT CENTER INSIDE EACH SIDE OF THE FRAME

FIX THE HITCH ON THE FRAME

TIGHTEN ALL.

SRG trailer hitches., warrants this product to be free of defects in material and/or workmanship at the time of retail purchase by the original purchaser. If the product is found to be defective, SRG trailer hitches Inc., may repair or replace the product, at their option, when the product is returned, prepaid, with proof of purchase. Alteration to, misuse of, or improper installation of this product voids the warranty. SRG trailer hitches Inc.'s liability is limited to repair or replacement of products found to be defective, and specifically excludes liability for incidental or consequential loss or damage.